

Visual Signals
EXPLOSION PROOF
Stainless Steel PUSH BUTTON



Explosion Proof Push Button >
Stainless Steel EXPB0001 Series

Product overview

The EXPB0001 push button series has been approved for use in potentially explosive atmospheres and harsh environmental conditions.

Typical applications are Oil and Gas, On-shore and Offshore, Chemical, Petrochemical, Refineries & Marine locations etc.

It is compatible for use with a PLC, DCS and ESD systems via 4-20mA output. It is ideally suited for use in fire alarm systems and an addressable option with diode fitted is available.

The unit has the option for either a key reset or self reset. The range also offers an additional visual LED indication option; red, green (or both) can be fitted. When fault or alarm status arises the green LED will be overridden by the red LED. The design allows for termination inside the unit.

Features/Certifications

- Approved by ATEX and CQST
- IMETRO and IECEX (Pending)
- ATEX: II 2G Exd IIC T4 - T6 (incorporating IIA & IIB)
- Zones 1&2, Zones 21&22 (Pending)
- Conforms to EN (IEC) 60079-0 EN (IEC) 60079-1 and EN54
- Dustproof & Weatherproof

EXPB0001 Series > Ordering Information

Follow the chart (right) to generate your part code.

	Switch	Duty Label	Tag Label*	Reset	LED Indicator	Features	Cable Entry	Finish Colour
PB125 +	S = Single Switch	Y = Yes	Y = Yes	S = Self Reset	L = Red & Green R = Red	F = Lift Flap R = Resistor (specify)	A = M20 B = M25 C = 1/2 NPT D = 3/4 NPT O = Other	RD = Red YW = Yellow BU = Blue BL = Black OR = Other
	D = Double Switch	Y = Yes		N = No K = Key Reset	G = Green N = No LED	D = Diode (specify) N = No Features		

* These accessories need to be ordered separately.

MODEL CONFIGURATOR (By using the table above, complete this box sequence to select your required push button).

PB125		Y						
	Switch	Duty Label	Tag Label*	Reset	LED Indicator	Features	Cable Entry	Finish Colour

* These accessories need to be ordered separately.

Note: All customers orders will be confirmed in writing. Care should be taken that the correct code has been ordered as be-spoke manufactured products cannot be returned for exchange or credit later.

Kg 4.9

°C -40+70

IP 66

INDUSTRIAL

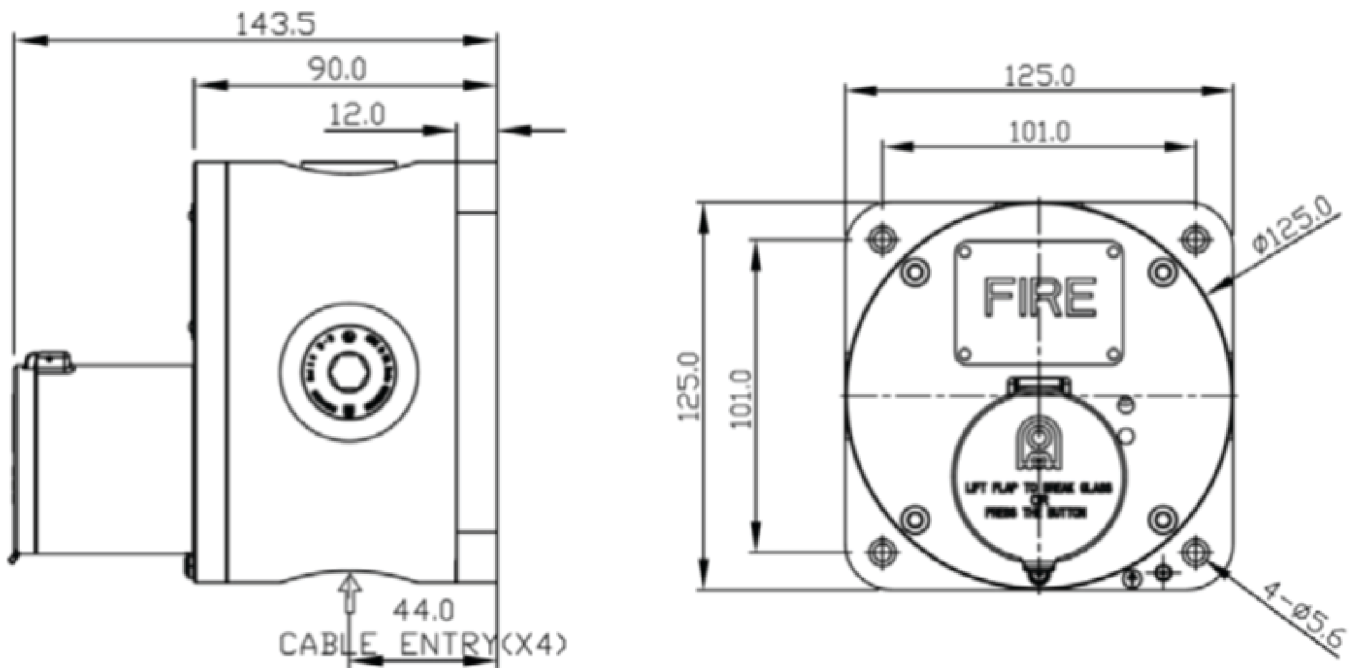
MARINE

FIRE

APPROVALS and CONFORMITIES



STAINLESS STEEL



Explosion Proof Push Button > Stainless Steel **EXPB0001** Series

General Information

EX CODE: Exd IIC T4 - T6

CERTIFICATION: ATEX, CQST
TYPE: Push Button

Mechanical Specifications

MATERIAL: Enclosure: Stainless Steel 316
ENCLOSURE COLOUR: Red (RAL3001), Yellow (RAL1003)
Blue (RAL5005), Black (RAL9004)
AMBIENT TEMPERATURE: -40 to +70
HUMIDITY: ≤ 95% RH
WEIGHT: 4.9 Kg / 10.8 lb
DIMENSIONS: Width/Length: 125mm / 4.92" Height: 143mm / 5.65"
INGRESS PROTECTION: IP 66

Electrical Specifications

SWITCH RATING: **30v Dc:** 6A (Resistive), 6A (Inductive)
250v Ac: 11A (Resistive), 6A (Inductive)
OUTPUT: On-Off Output (NC/NO)
TERMINATION: Accepts upto ≤ 2.5mm² incorporating rising clamp protectors
CABLE ENTRY: 4 x M20, M25, 1/2"NPT, 3/4"NPT or Other (Specify)

Spareparts & Accessories

M20 Stainless Steel Exd Blind Plug	05/50100110920
M25 Stainless Steel Exd Blind Plug	05/55100110925
1/2" NPT Stainless Steel Exd Blind Plug	05/55100110821
3/4" NPT Stainless Steel Exd Blind Plug	05/55100110843
M20 Stainless Steel Exd Cable Gland	05/CG SM020X
M25 Stainless Steel Exd Cable Gland	05/CG SM025X
1/2" NPT Stainless Steel Exd Cable Gland	05/CG SN012X
3/4" NPT Stainless Steel Exd Cable Gland	05/CG SN034X