

Banshee Excel™ BS Base Sounder

The slimmest sounder in its class, the Banshee Excel™ BS supplies true omni-directional sound output and is fully compatible with the other sounders in the range.

The sounder comes with 32 user-selectable tones incorporating low frequencies, high frequencies, European, American and Australian norms and all industry-standard frequency patterns.

Tested and approved to EN 54 Part 3, the Banshee Excel™ BS sounder fits neatly under any ceiling mounted fire detector or can be mounted stand-alone with the use of a front blanking plate.

The unit is available in two colours - white and ivory, to match the majority of fire detectors currently available.



Features

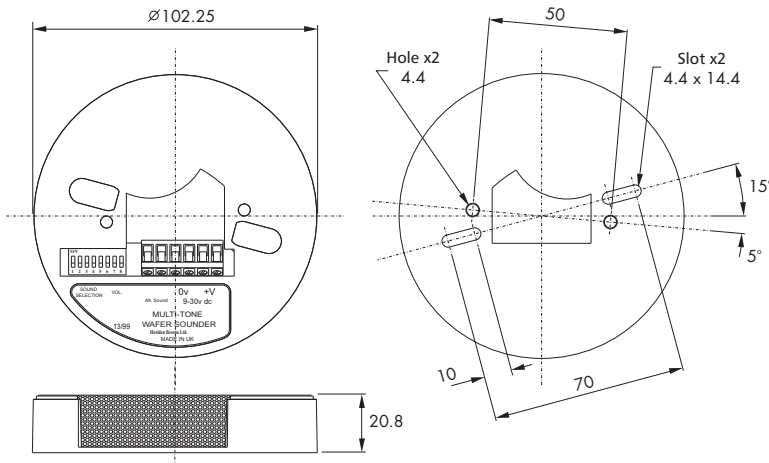
- 32 tones designed to be compatible with other Banshee Excel™ sounders
- EN 54-3 tested and fully approved in accordance with CPR
- Slimmest profile in the industry
- Low current consumption
- Available in white or ivory to match to detectors
- Omni-directional sound (see Polar Plot page 5)
- Front plate for stand-alone use available
- Three selectable volume levels
- Installer friendly terminals
- Ceiling or wall mounting
- Robust and easily connected 'two in two out' 2.5 mm² terminals

Specification

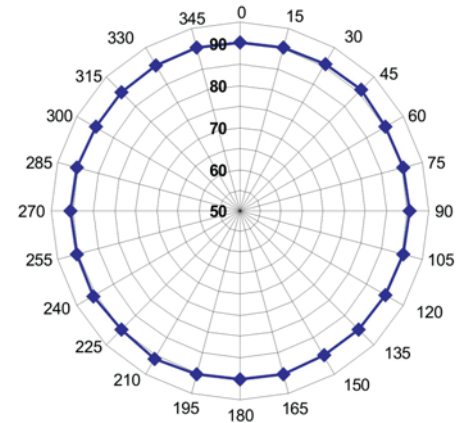
Operating Voltage (Vdc):	9-30
Operating Voltage EN 54-3 (Vdc):	24 (20 -28)
Tone Current Consumption (mA):	See Sound Output Table [#]
Sound Output (dBA Typ @ 1m):	See Sound Output Table [#]
Tones Available:	See Sound Output Table [#]
Body Colours:	White or Ivory
Temperature Range (Deg C):	-40 to +70
Volume Control:	High, Medium (-6 dBA) Low (-12 dBA)
Environment Category / IP Rating:	Internal use only

Installation

Banshee Excel™ BS Base Sounder



Sound Output Polar Plot



Sound Output Table & Tone Specification

No.	DIL SW 1 2 3 4 5	Description	Frequency and timing	2nd Tone	(12V)		(24V)	
					dBA	mA	dBA	mA
1	0 0 0 0 0	Banshee Buzz LF	800Hz to 950Hz swept at 120Hz	4	85	6	91	13
2	1 0 0 0 0	Banshee Fast Sweep LF*	800Hz to 950Hz swept at 9Hz	4	84	6	90	13
3	0 1 0 0 0	Banshee Slow Sweep LF	800Hz to 950Hz swept at 3Hz	4	84	6	90	13
4	1 1 0 0 0	Banshee Continuous LF	Continuous at 900Hz	4	84	6	90	13
5	0 0 1 0 0	Banshee Fast Sweep LF (New)	830Hz to 970Hz swept at 9Hz	4	84	6	90	13
6	1 0 1 0 0	Medium Sweep LF*	800Hz to 970Hz swept at 1Hz	7	84	6	90	13
7	0 1 1 0 0	Continuous LF	Continuous at 950Hz	7	84	7	90	14
8	1 1 1 0 0	Back Up Alarm LF	Intermittent at 950Hz 1 sec on, 1 sec off	4	84	4	90	8
9	0 0 0 1 0	Alternate LF	Alternating 800Hz/1000Hz at 1Hz	4	84	7	90	14
10	1 0 0 1 0	Medium Sweep LF	800Hz to 1000Hz swept at 0.5 secs	4	84	6	90	13
11	0 1 0 1 0	Alternate LF	Alternating Tones 800/950 at 3Hz	4	84	7	90	14
12	1 1 0 1 0	Banshee Buzz HF	2400Hz to 2900Hz at 120Hz	15	90	15	96	30
13	0 0 1 1 0	Banshee Fast Sweep HF	2400Hz to 2900Hz at 9Hz	15	92	15	98	30
14	1 0 1 1 0	Banshee Slow Sweep HF	2400Hz to 2900Hz at 3Hz	15	90	15	96	30
15	0 1 1 1 0	Banshee Continuous HF	Continuous 2900Hz*	15	94	13	100	30
16	1 1 1 1 0	Banshee Fast Sweep HF (New)	2450Hz to 3100Hz swept at 9Hz	15	87	14	94	31
17	0 0 0 0 1	Back Up Alarm HF	Intermittent at 2900Hz 1 sec on, 1 sec off*	15	95	8	101	16
18	1 0 0 0 1	Alternate HF	Alternating Tones 2400/2900 at 3Hz	15	94	13	100	28
19	0 1 0 0 1	Slow Whoop*	500Hz rising to 1200Hz over 3.5 secs, silence 0.5 sec	4	88	5	95	10
20	1 1 0 0 1	Din Tone (DK)*	1200Hz falling to 500Hz over 1 sec, silence 10mS, repeat	4	87	5	93	10
21	0 0 1 0 1	French Fire Sound*	554Hz for 100mS and 440Hz for 400mS	4	84	4	90	8
22	1 0 1 0 1	Australian Alert Signal	420Hz repeating 0.625 sec on, 0.625 sec off	4	83	3	90	5
23	0 1 1 0 1	Australian Evacuation Signal	500Hz to 1200Hz sweeping, 3.75 secs on, 0.25 secs off	4	88	5	94	10
24	1 1 1 0 1	US Temporal Tone LF	950Hz for 0.5 sec on, 0.5 sec off for 3 phases, silence for 1.5secs and repeat	4	84	4	90	8
25	0 0 0 1 1	US Temporal Tone HF	2900Hz for 0.5 sec on, 0.5 sec off for 3 phases, silence for 1.5secs and repeat	15	95	6	101	13
26	1 0 0 1 1	Swedish Tone (Fire)	Intermittent 660Hz 150mS on, 150mS off	26	86	3	92	6
27	0 1 0 1 1	Swedish Tone (All Clear)	Continuous 660Hz	27	87	5	93	10
28	1 1 0 1 1	ISO8201 LF	Intermittent 970Hz 500mS on, 500mS off	28	83	4	91	8
29	0 0 1 1 1	ISO8201 HF	Intermittent 2900Hz 500mS on, 500mS off*	29	95	8	101	17
30	1 0 1 1 1	BT Banshee (FPI063.1)	Yodel 800Hz/1000Hz, 0.25sec each frequency	31	84	7	90	14
31	0 1 1 1 1	BT Banshee (FPI063.1)	Continuous 1000Hz	31	84	8	90	16
32	1 1 1 1 1	Bell Tone	Bell Tone	32	80	6	87	12

Notes: *Tones highlighted in bold are approved under the Construction Product Directive; Sound output (dBA) and current (mA) values are typical.

Part Numbers

- 8540500: Banshee Excel BS - Base sounder, White
- 8540600: Banshee Excel BS - Base sounder, Ivory
- CV81871/B: Cover plate - for Banshee Excel Base Sounder 8540500
- CV81872/C: Cover plate - for Banshee Excel Base Sounder 8540600

Vimpex Limited

Star Lane, Great Wakering
Essex SS3 0PJ England
Tel: +44 (0) 1702 216999
Fax: +44 (0) 1702 216699
E-mail: sales@vimpex.co.uk
www.vimpex.co.uk

