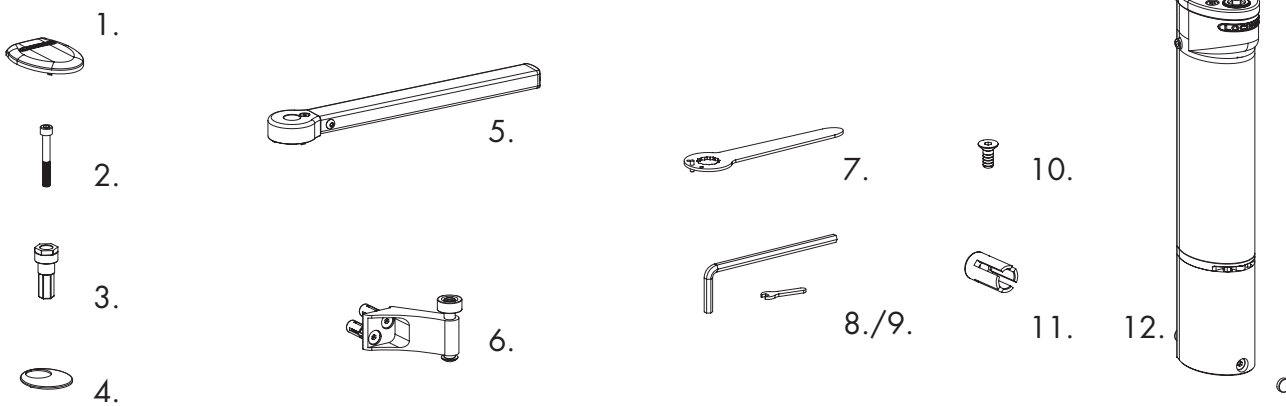


LOCINOX®

Let's make better fences together

VERTICLOSE-STD: INSTALLATION INSTRUCTION

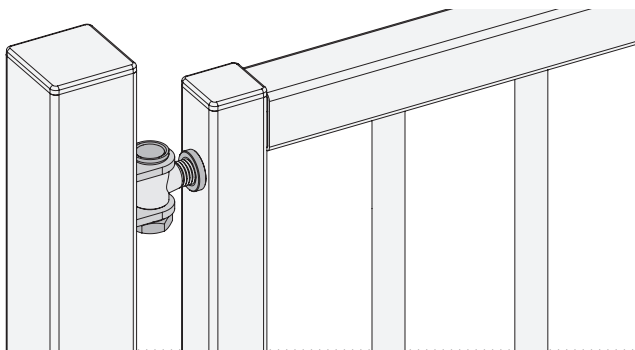
① Package content



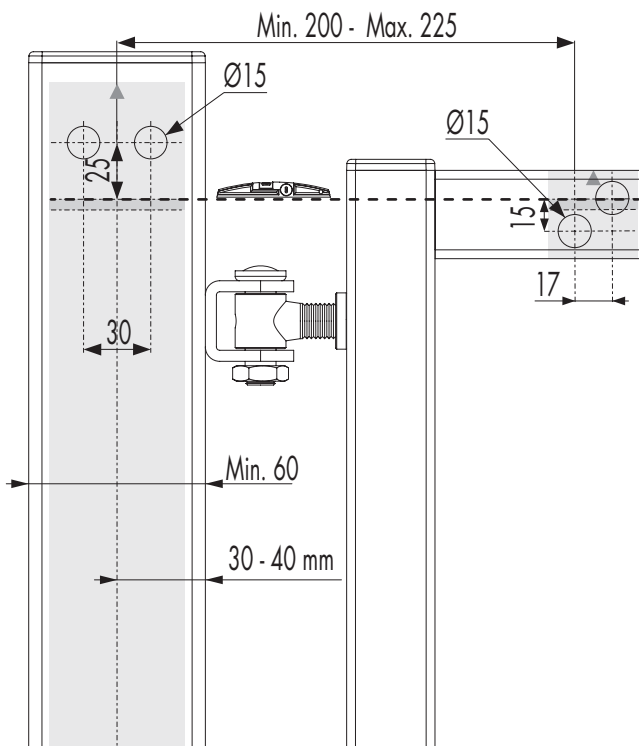
1. VTC Top Cover
2. DIN 0912IM8x60
3. VTC Top Axis
4. Gear cover
5. VTC Assembly Slide
6. VTC Assembly Support
7. VTC Tension Key
8. Din0911 S5 Allen Key
9. VTC Lociwrench 6mm
10. Shear bolt
11. Quick-Fix Expander
12. VTC / VTC Bolt Cap Ø14
13. Drilling Templates

90°

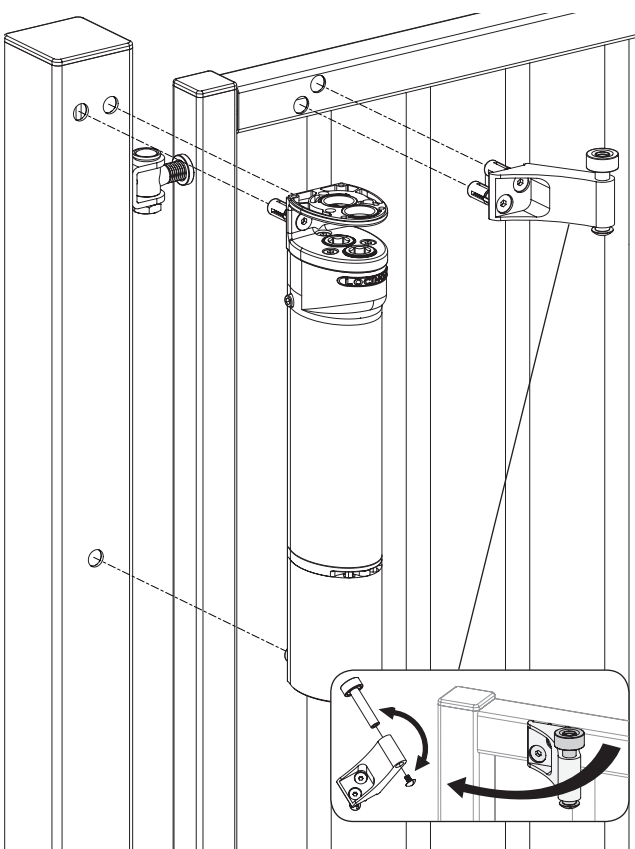
② Mounting situation



③ Drilling template

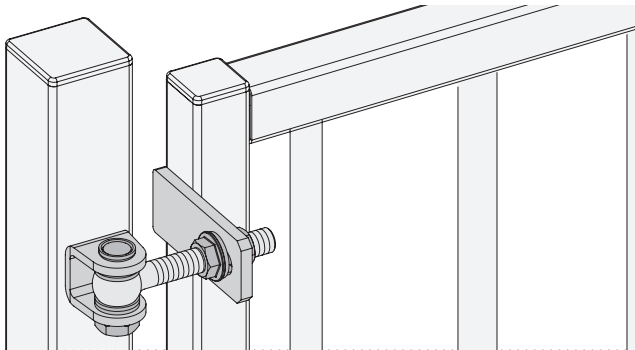


④ Gate closer installation

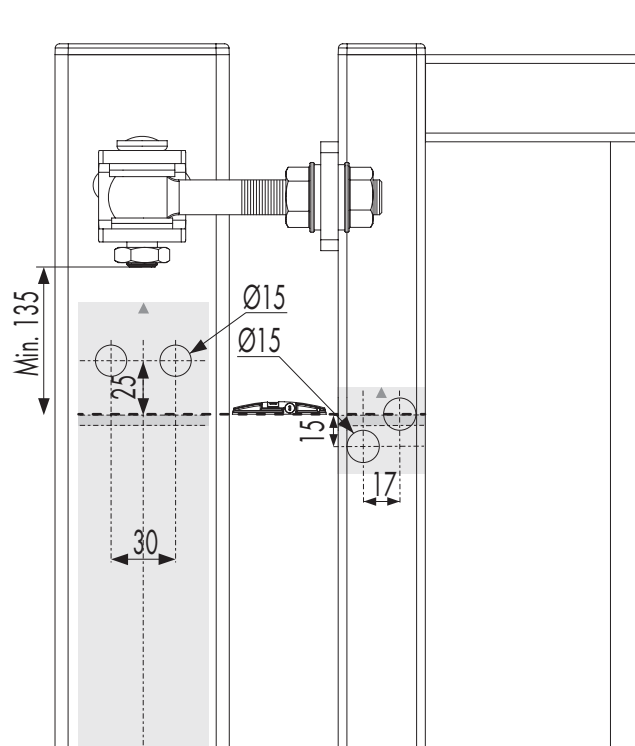


180°

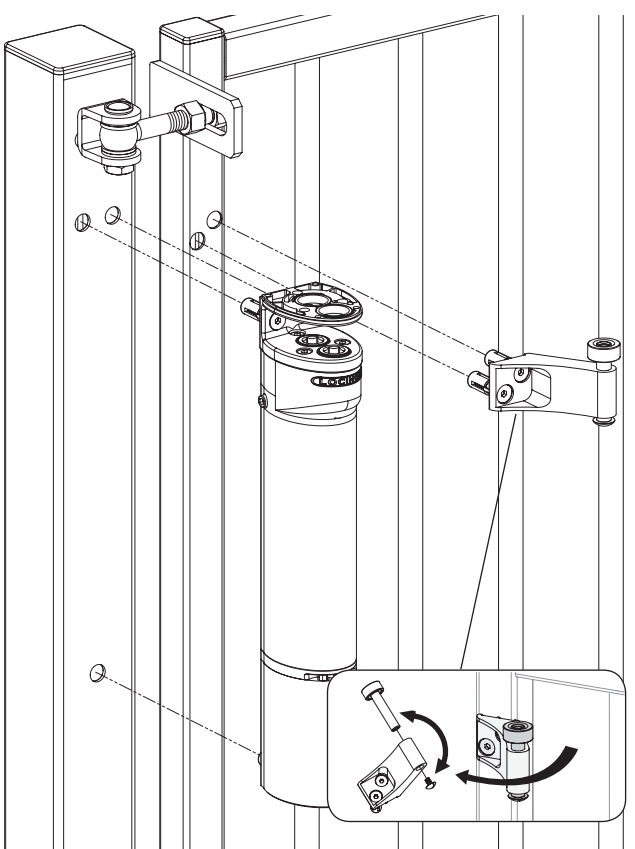
② Mounting situation



③ Drilling template

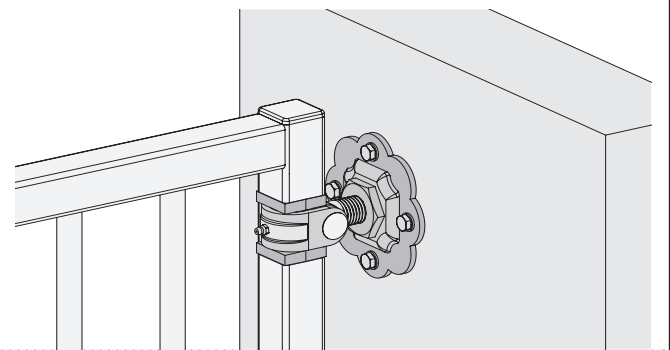


④ Gate closer installation

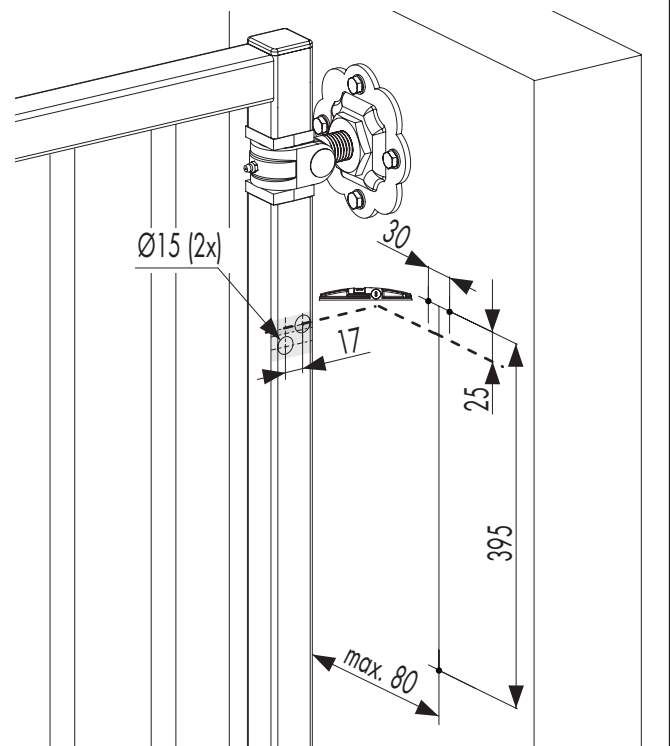


Wall / Mur / Mauer

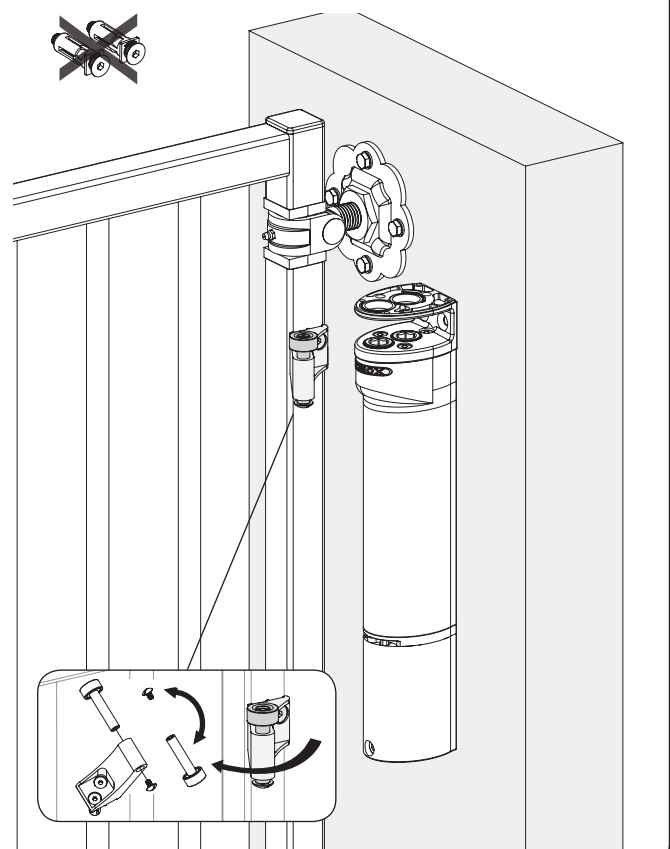
② Mounting situation



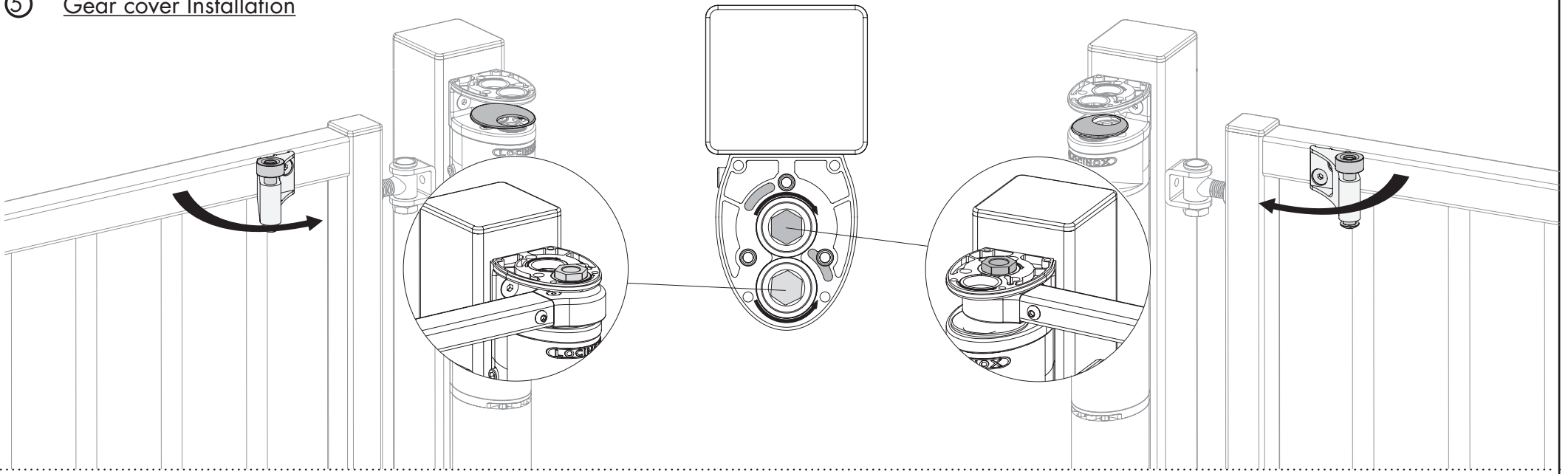
③ Drilling template



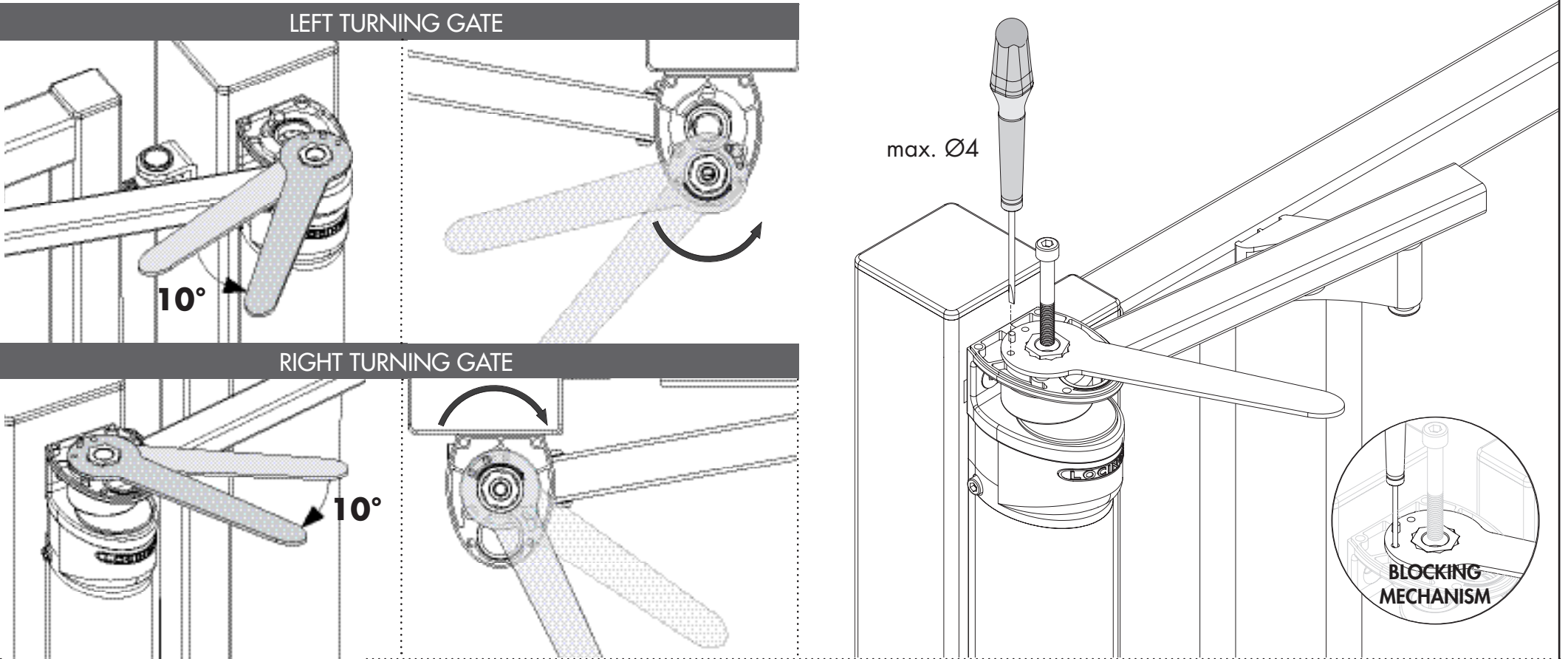
④ Gate closer installation



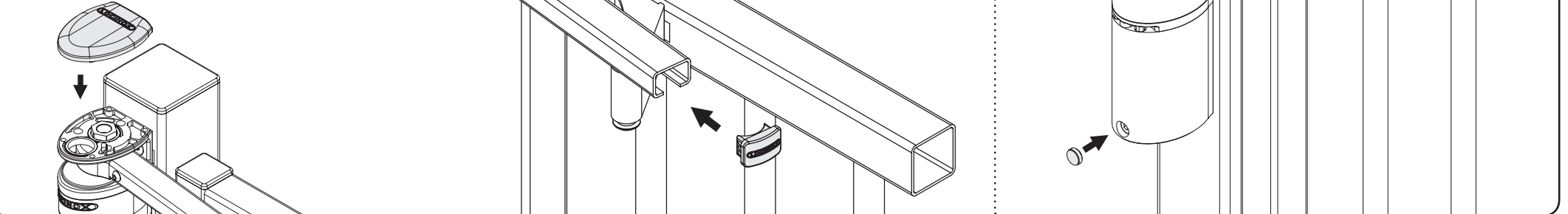
⑤ Gear cover Installation



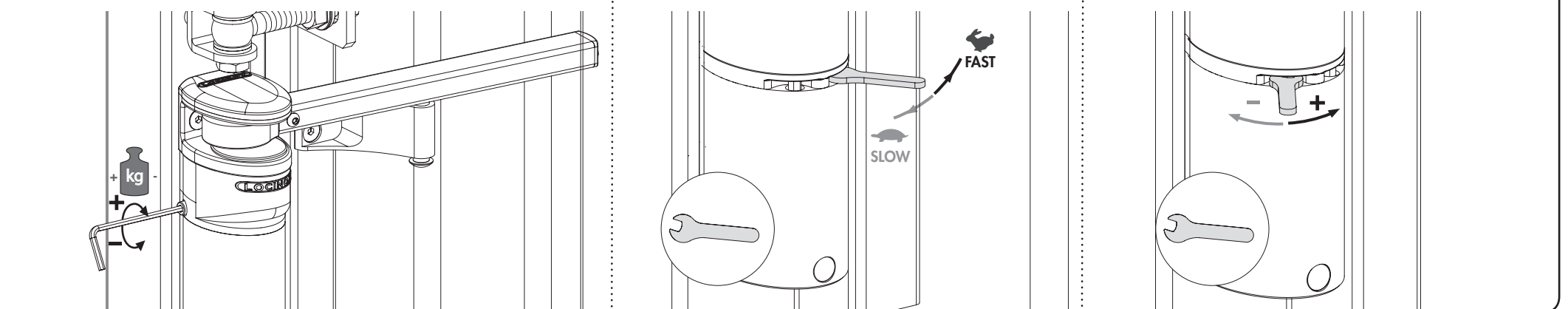
⑥ Pre-Tension



⑦ Finalising the installation



⑧ Adjustment settings



⑨ In case of overload

