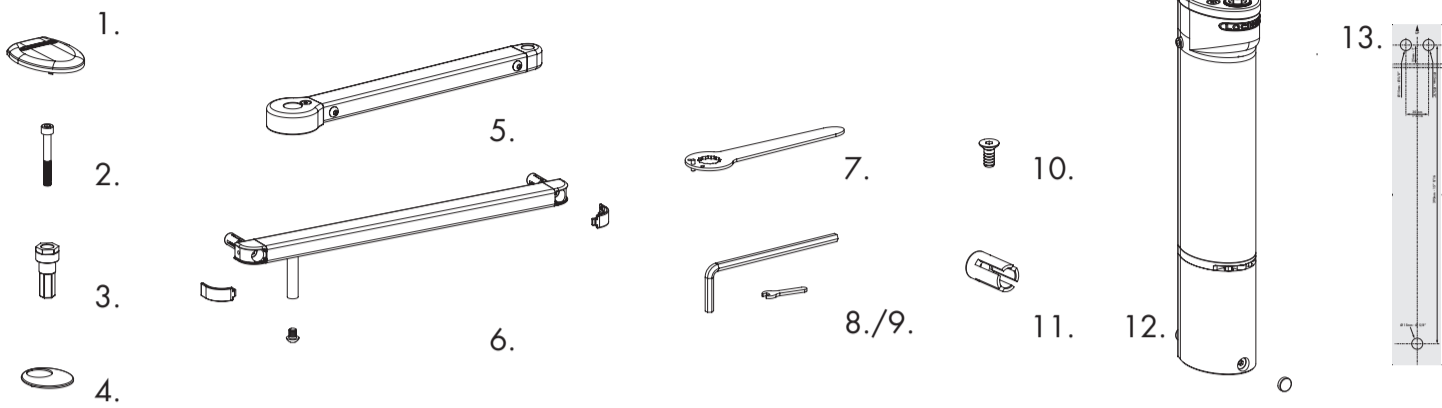


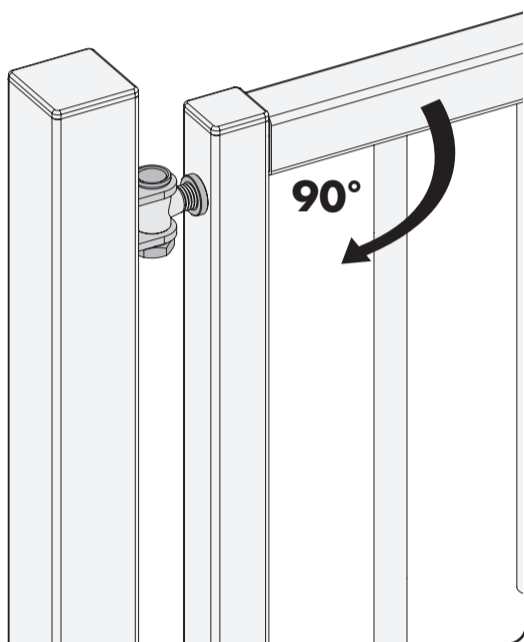
VERTICLOSE-RAIL: INSTALLATION INSTRUCTION

① Package content

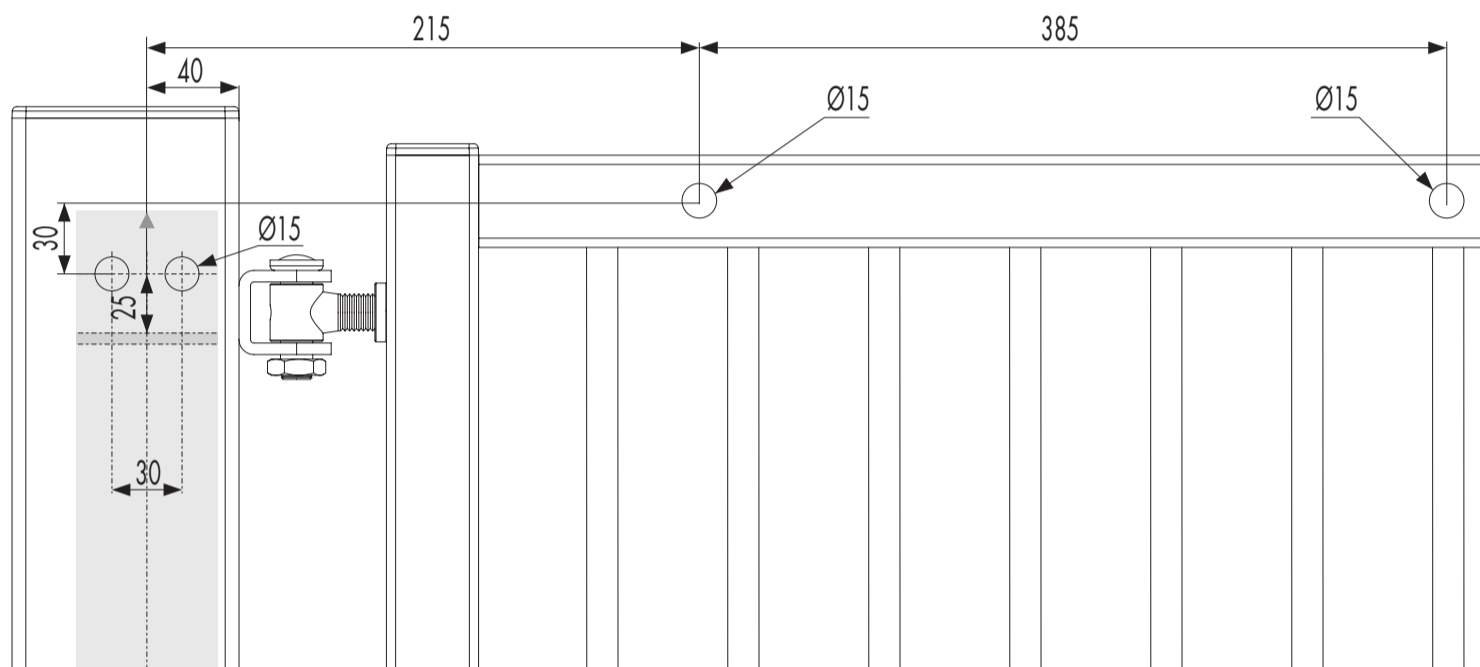


1. VTC Top Cover
2. DIN 0912IM8x60
3. VTC Top Axis
4. Gear cover
5. VTC Assembly Slide
6. VTC Rail with covers
7. VTC Tension Key
8. Din0911 S5 Allen Key
9. VTC Lociwrench 6mm
10. Shear bolt
11. Quick-Fix Expander
12. VTC / VTC Bolt Cap Ø14
13. Drilling Templates

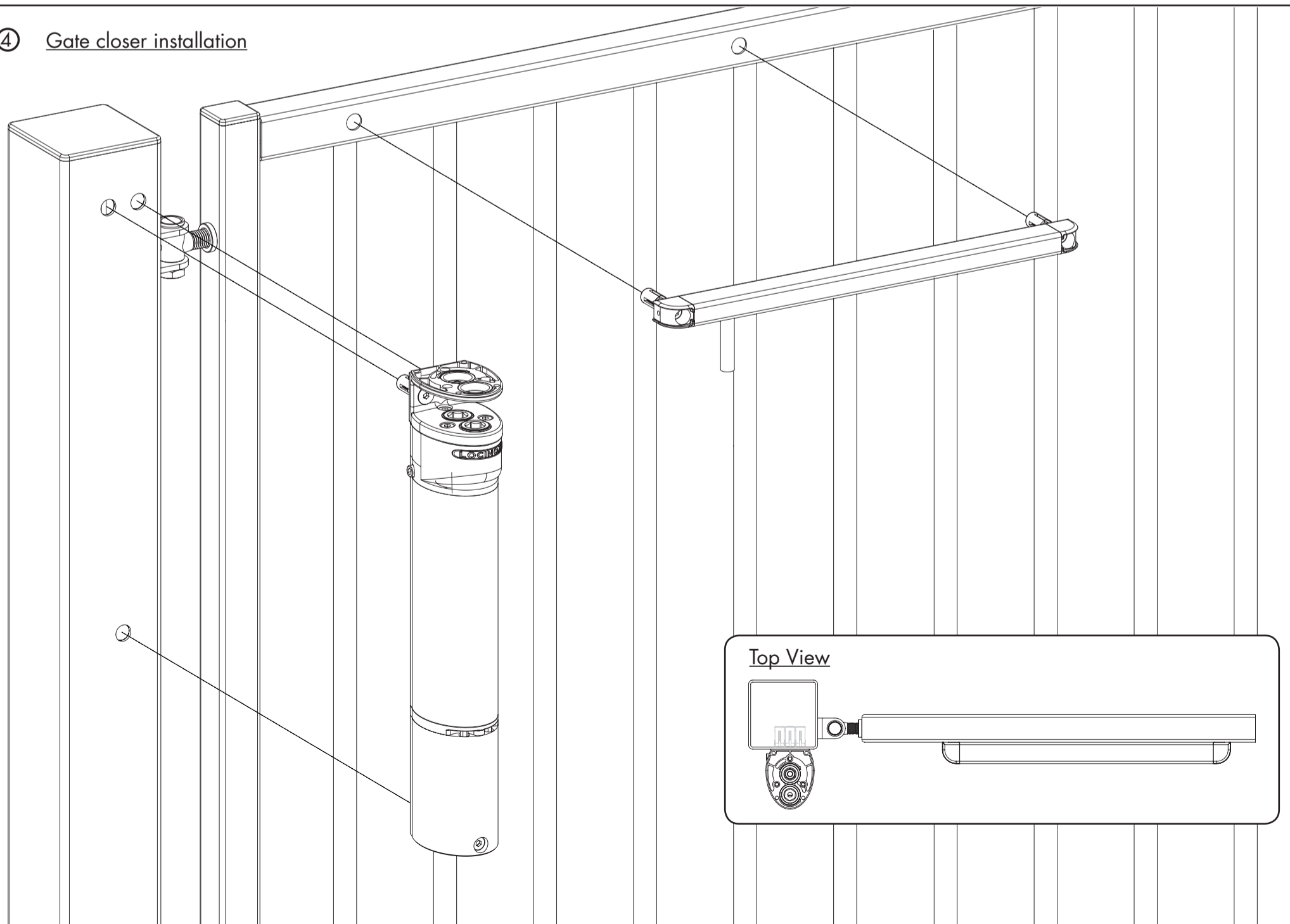
② Mounting situation



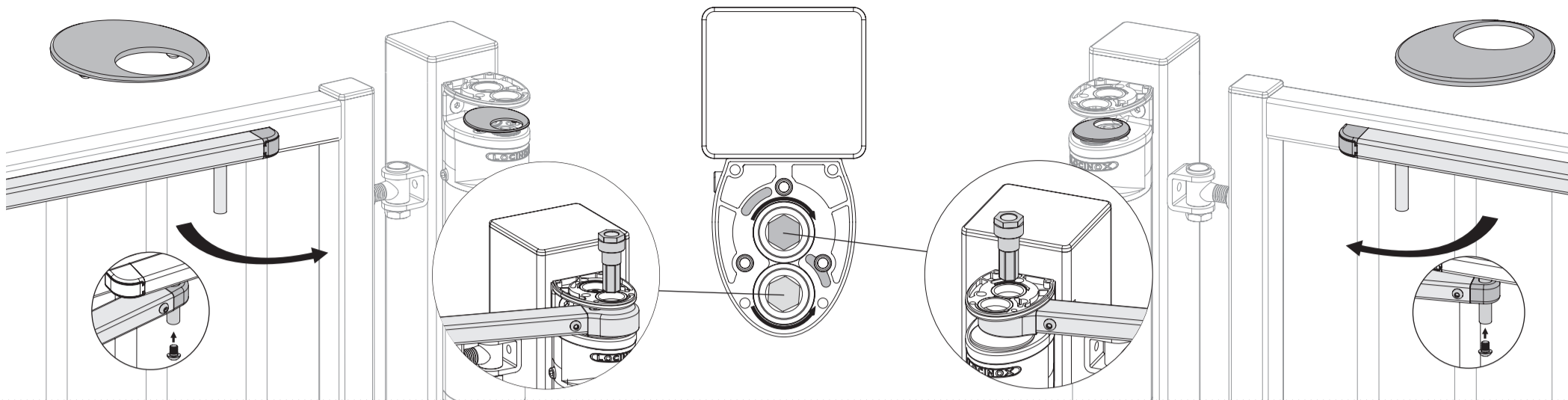
③ Drilling template



④ Gate closer installation

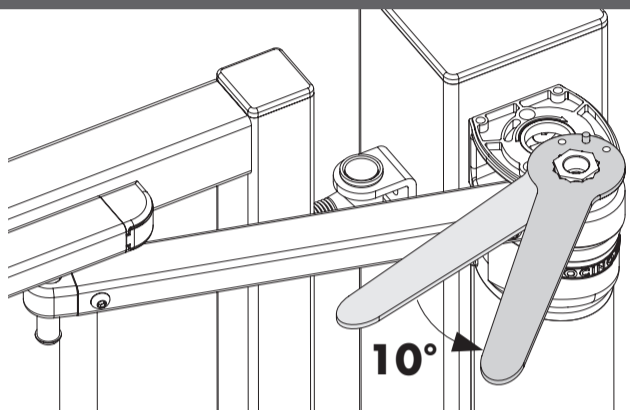


⑤ Gear cover and Assembly slide Installation



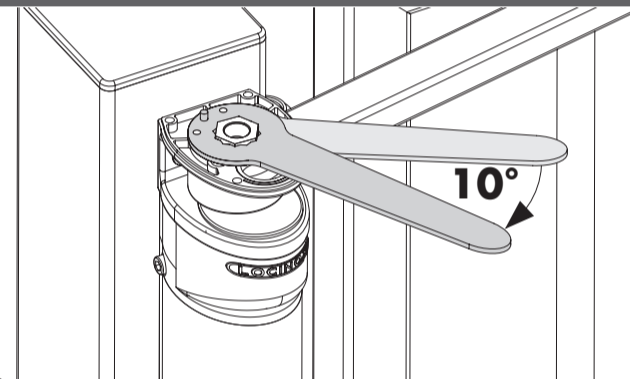
⑥ Pre-Tension

LEFT TURNING GATE

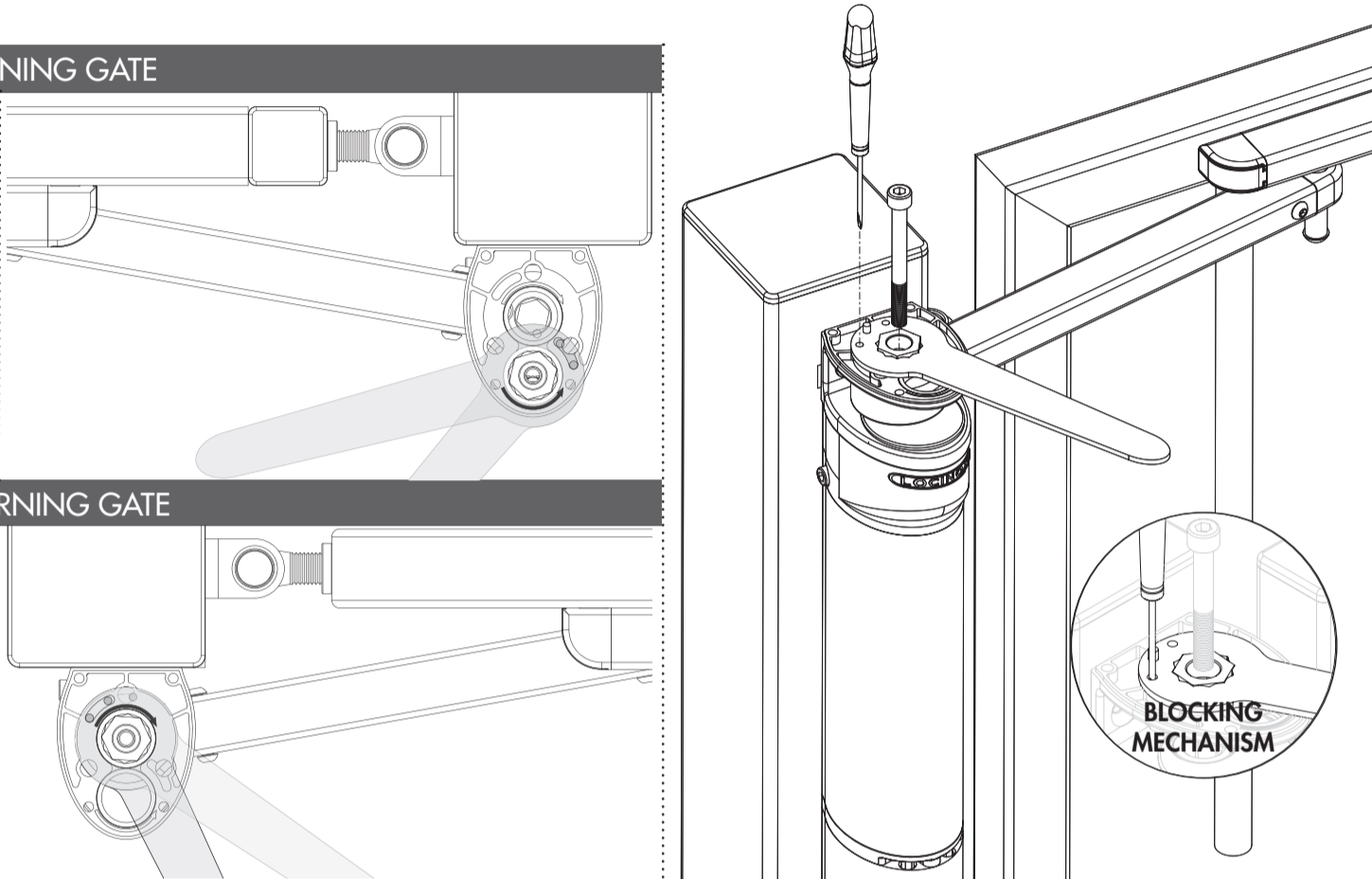


10°

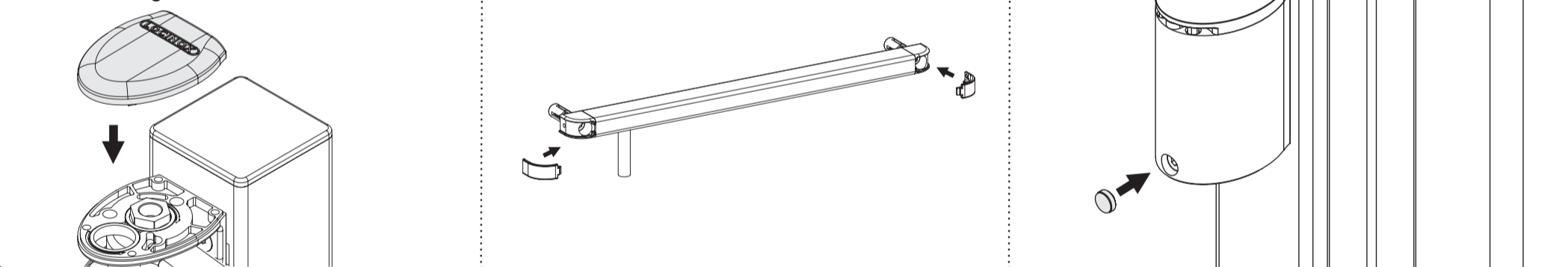
RIGHT TURNING GATE



10°



⑦ Finalising the installation

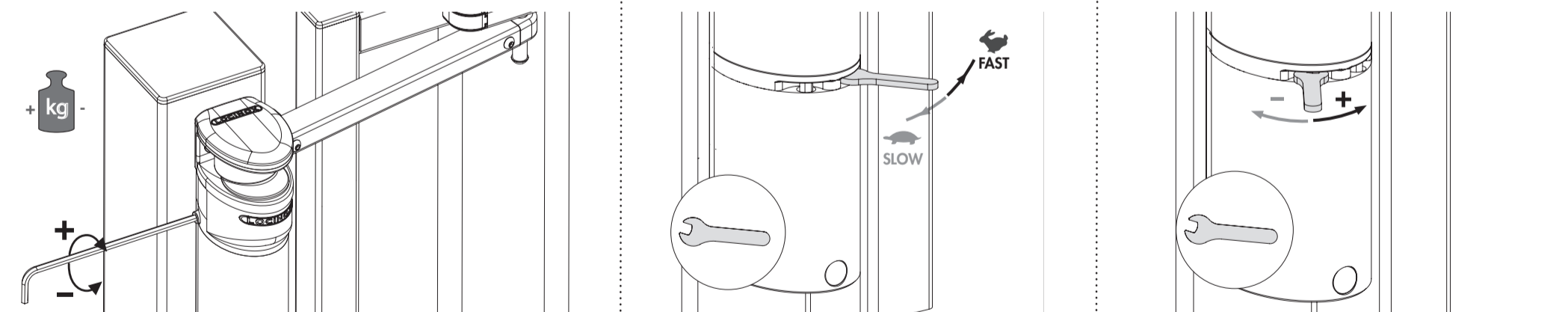


⑧ Adjustment settings

CLOSING FORCE

CLOSING SPEED

FINAL SNAP



⑨ In case of overload

