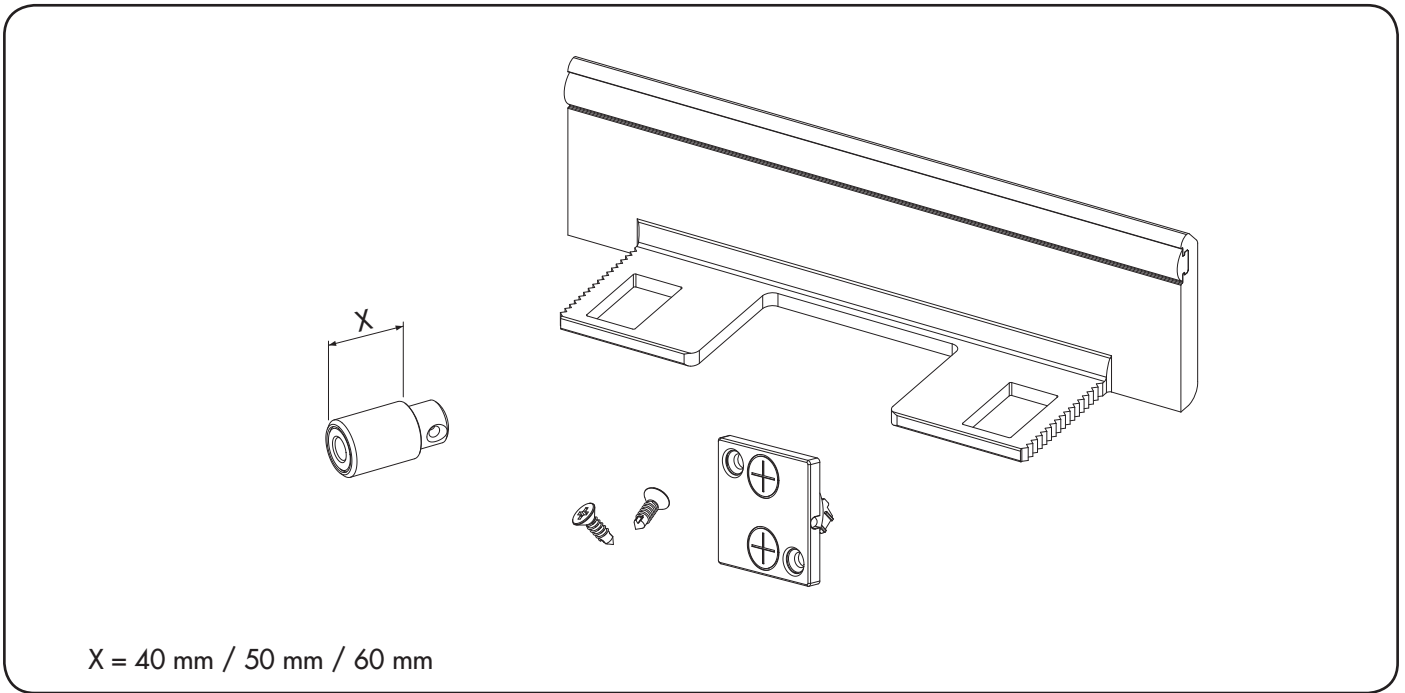


# LOCINOX<sup>®</sup>

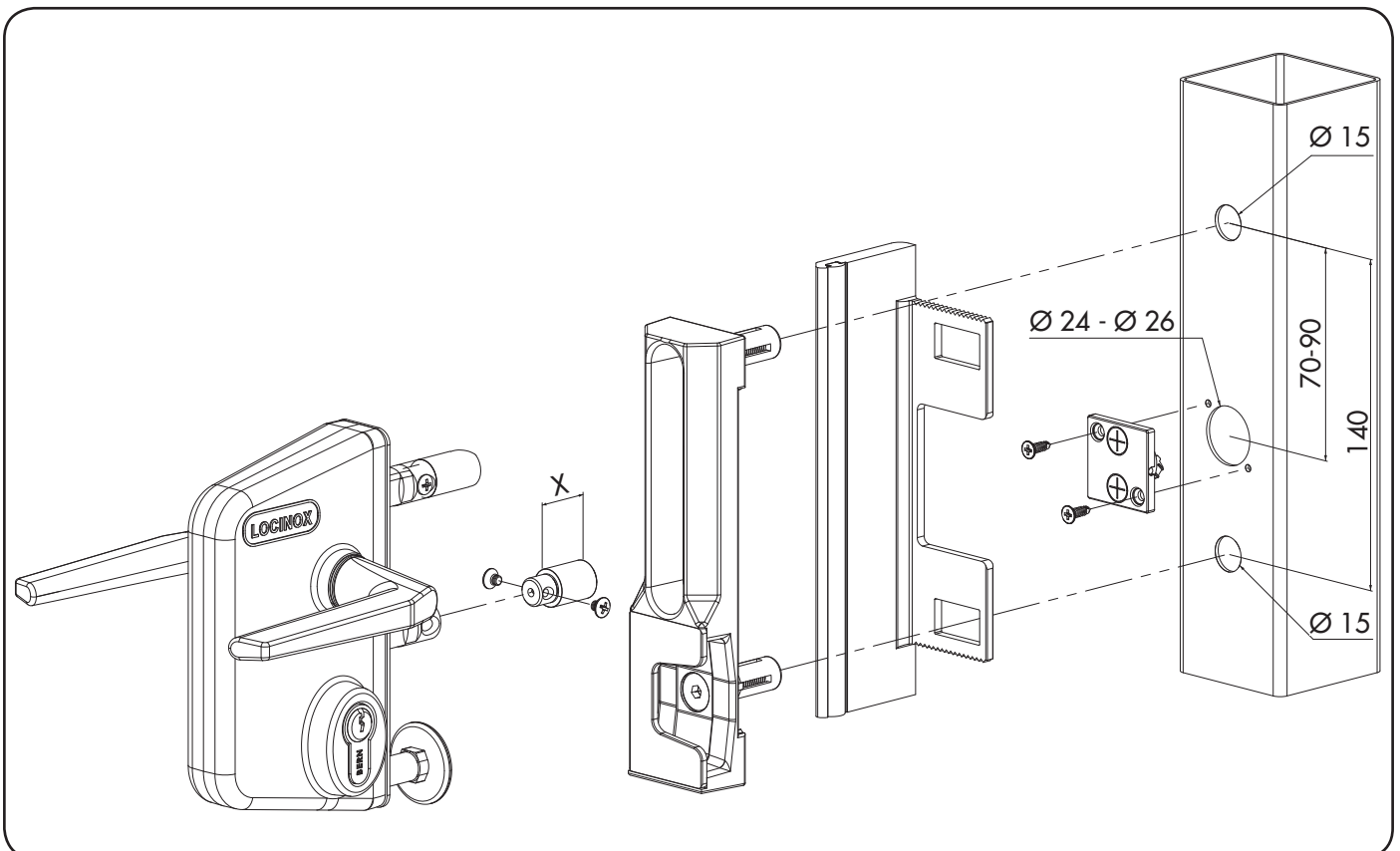
WWW.LOCINOX.COM

**CODE: SH SWITCH**

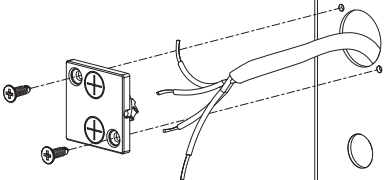
① PACKAGE CONTENT



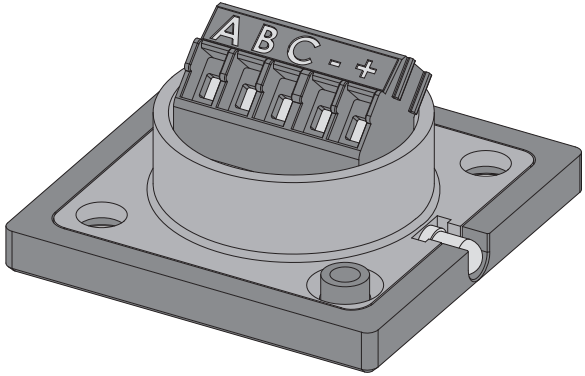
② PROFILE PREPARATION

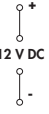
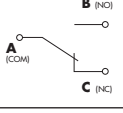


### ③ ELECTRICAL INSTRUCTION

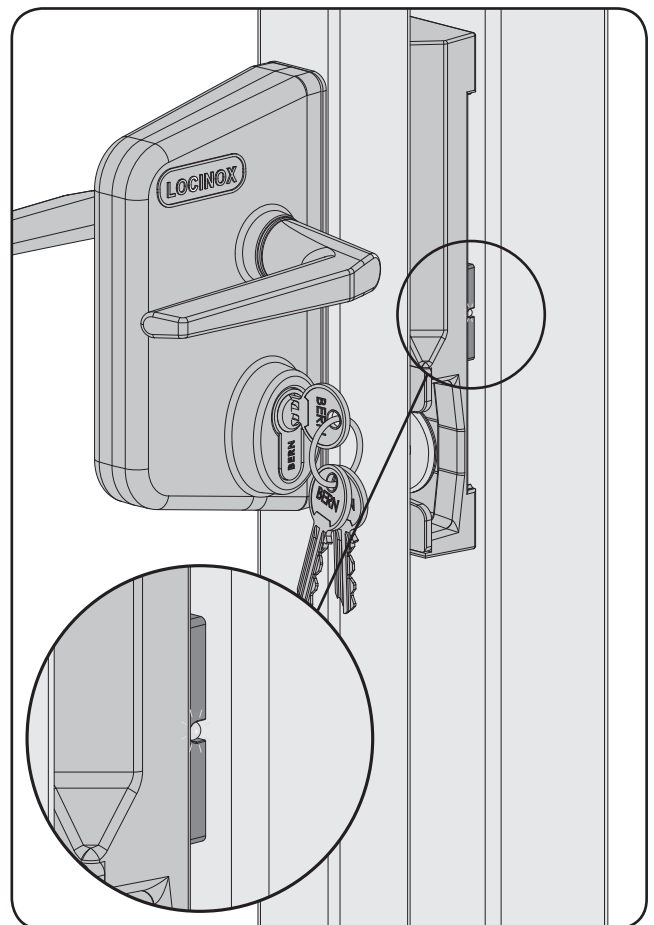
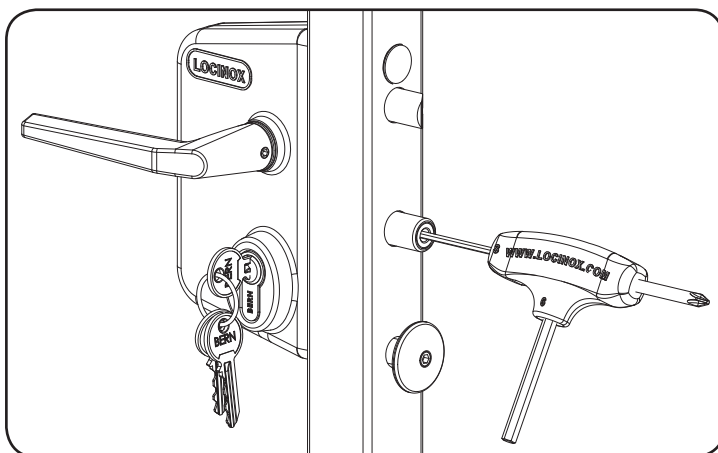
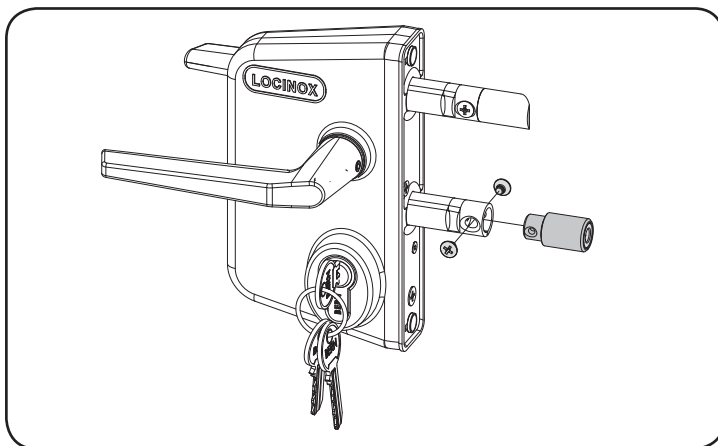


Contact Data	Conditions	Max
Switching voltage	DC or Peak AC	175 V
Switching Current	DC or Peak AC	0,5 A
Carry Current	DC or Peak AC	1 A
Contact Rating	Any DC combination of V&A. no to exceed their individual max. 's	10 W



+	Optional voltage: 12 V / DC For visual status LED indication		
B	NO	Normal open	
A	COM	Common	
C	NC	Normal closed	

### ④ MOUNTING & ADJUSTMENT OF THE MAGNET-BOLT



**LOCINOX**<sup>®</sup>  
WWW.LOCINOX.COM

**Doc. Nr.: MANU-000074**



\* M A N U - 0 0 0 0 7 4 \*

Locinox nv • Mannebeekstraat 21 • B-8790 Waregem • Belgium - Europe  
Tel. +32 (0)56 77 27 66 • Fax. +32 (0)56 77 69 26 • E-mail: locinox@locinox.com