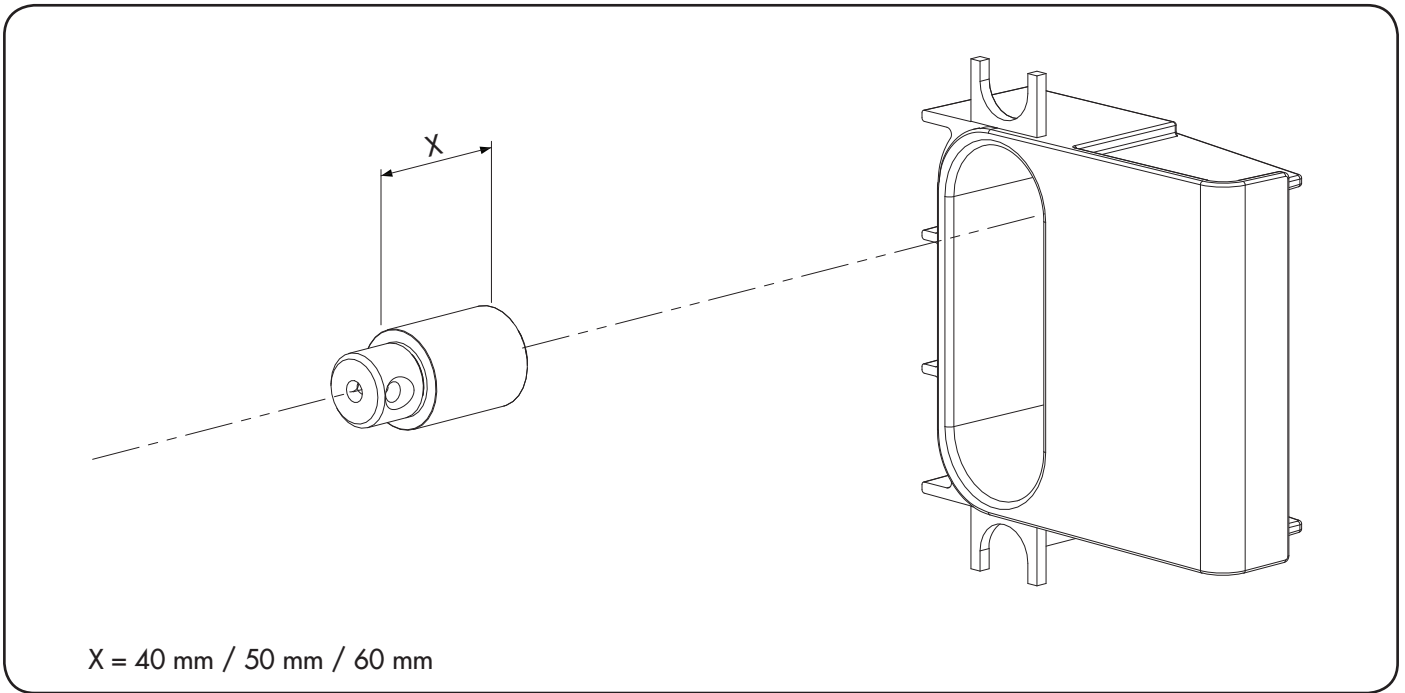


LOCINOX[®]

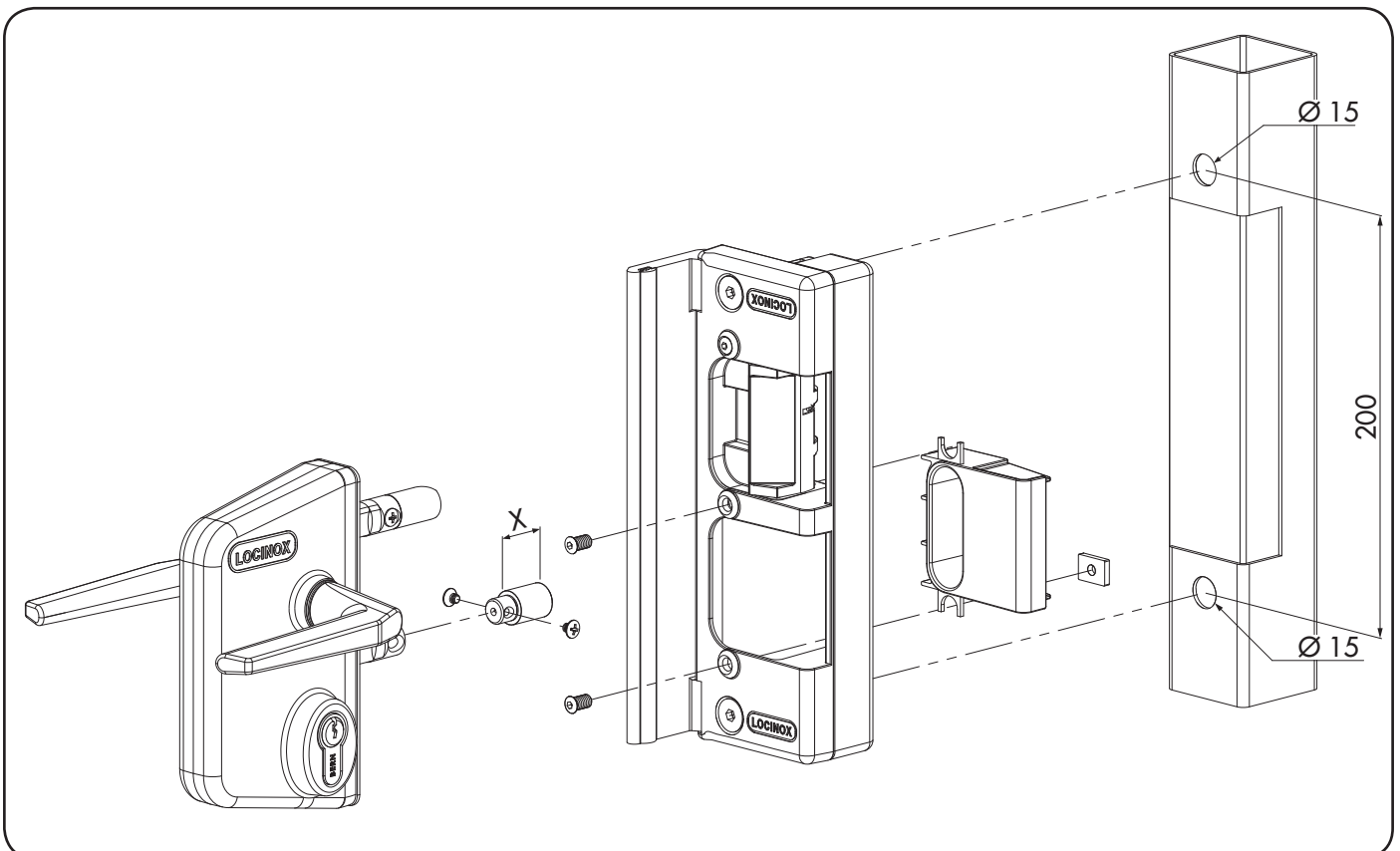
WWW.LOCINOX.COM

CODE: SE SWITCH

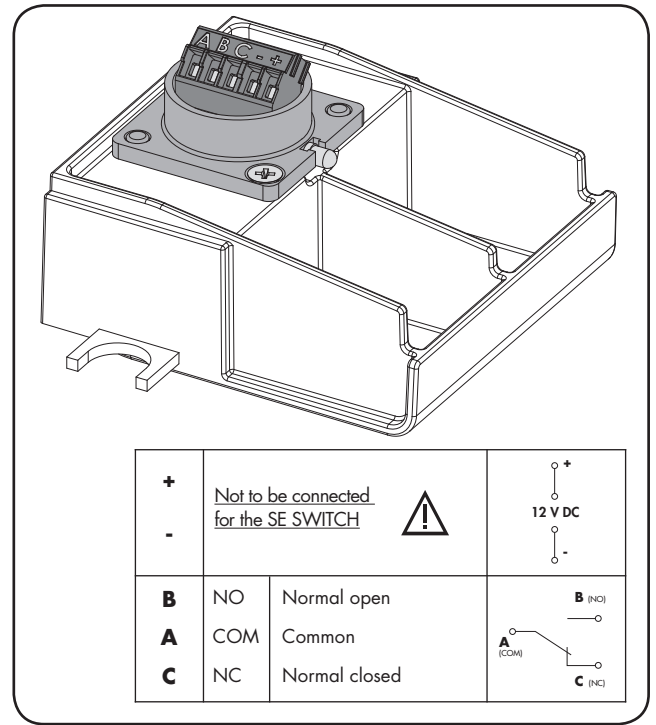
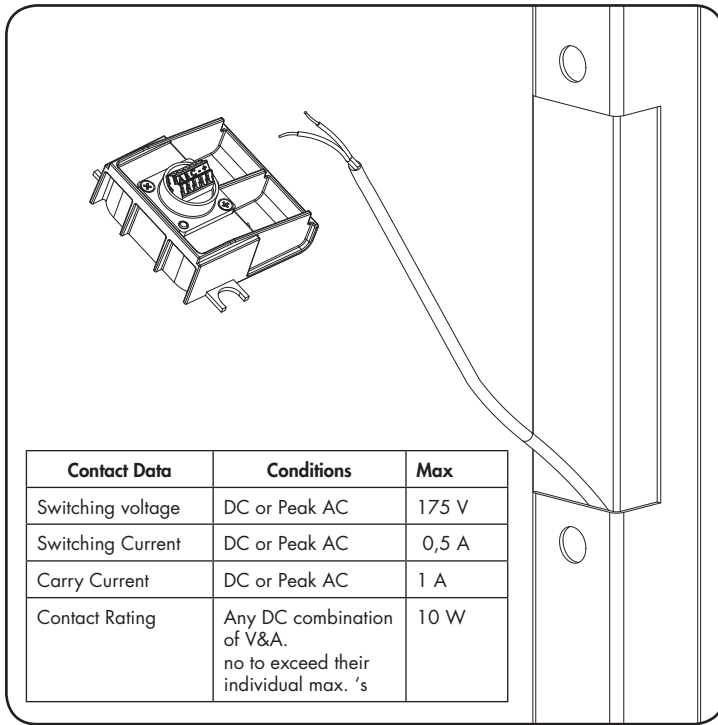
① PACKAGE CONTENT



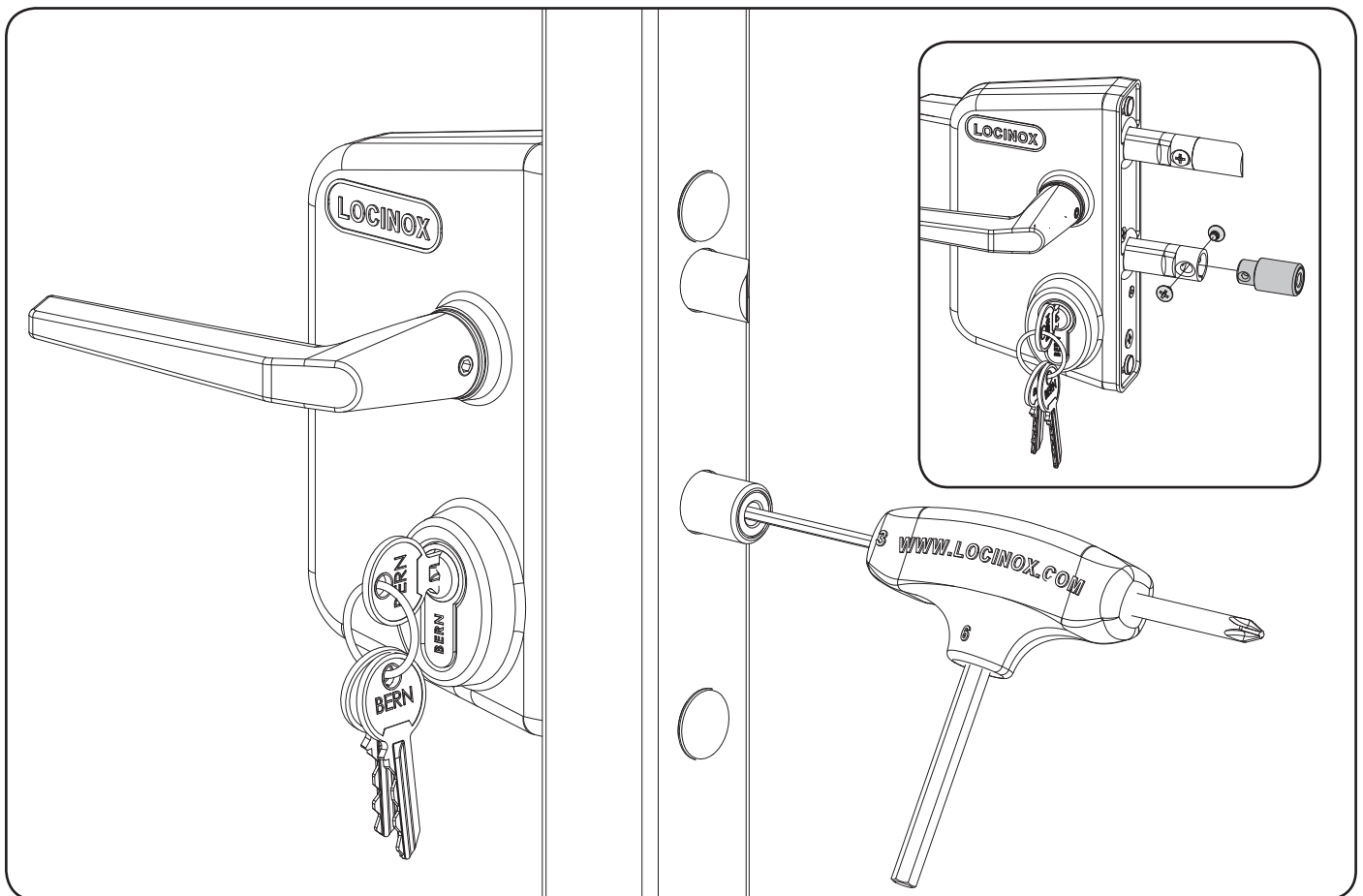
② PROFILE PREPARATION



③ ELECTRICAL INSTRUCTION



④ MOUNTING & ADJUSTMENT OF THE MAGNET-BOLT



LOCINOX[®]
WWW.LOCINOX.COM

Doc. Nr.: MANU-000072



Locinox nv • Mannebeekstraat 21 • B-8790 Waregem • Belgium - Europe
Tel. +32 (0)56 77 27 66 • Fax. +32 (0)56 77 69 26 • E-mail: locinox@locinox.com

* M A N U - 0 0 0 0 7 2 *