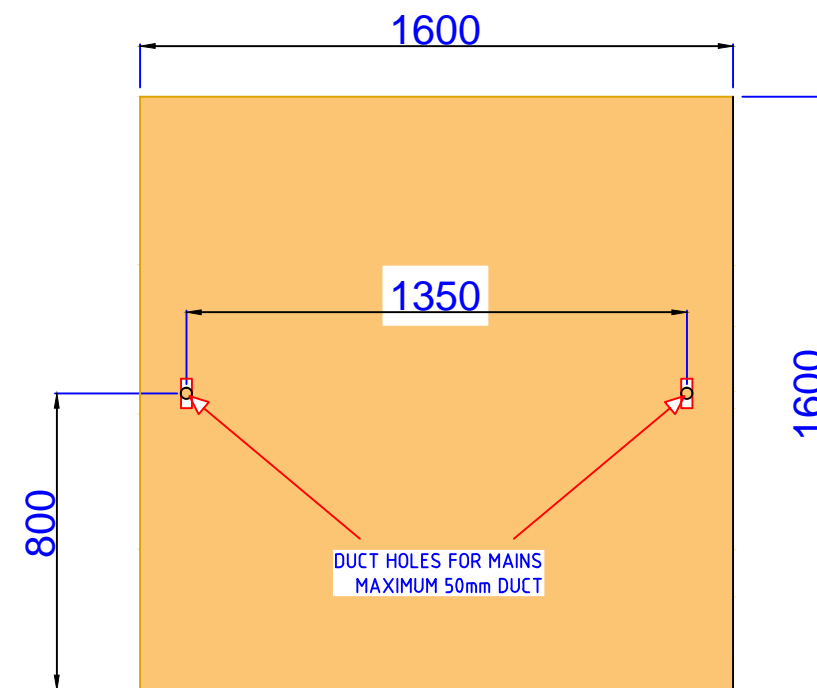
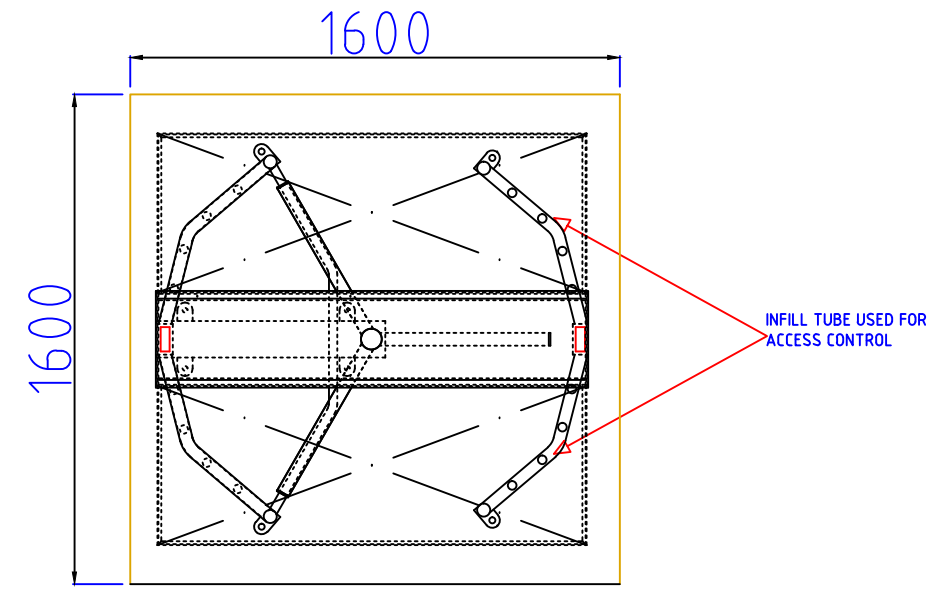
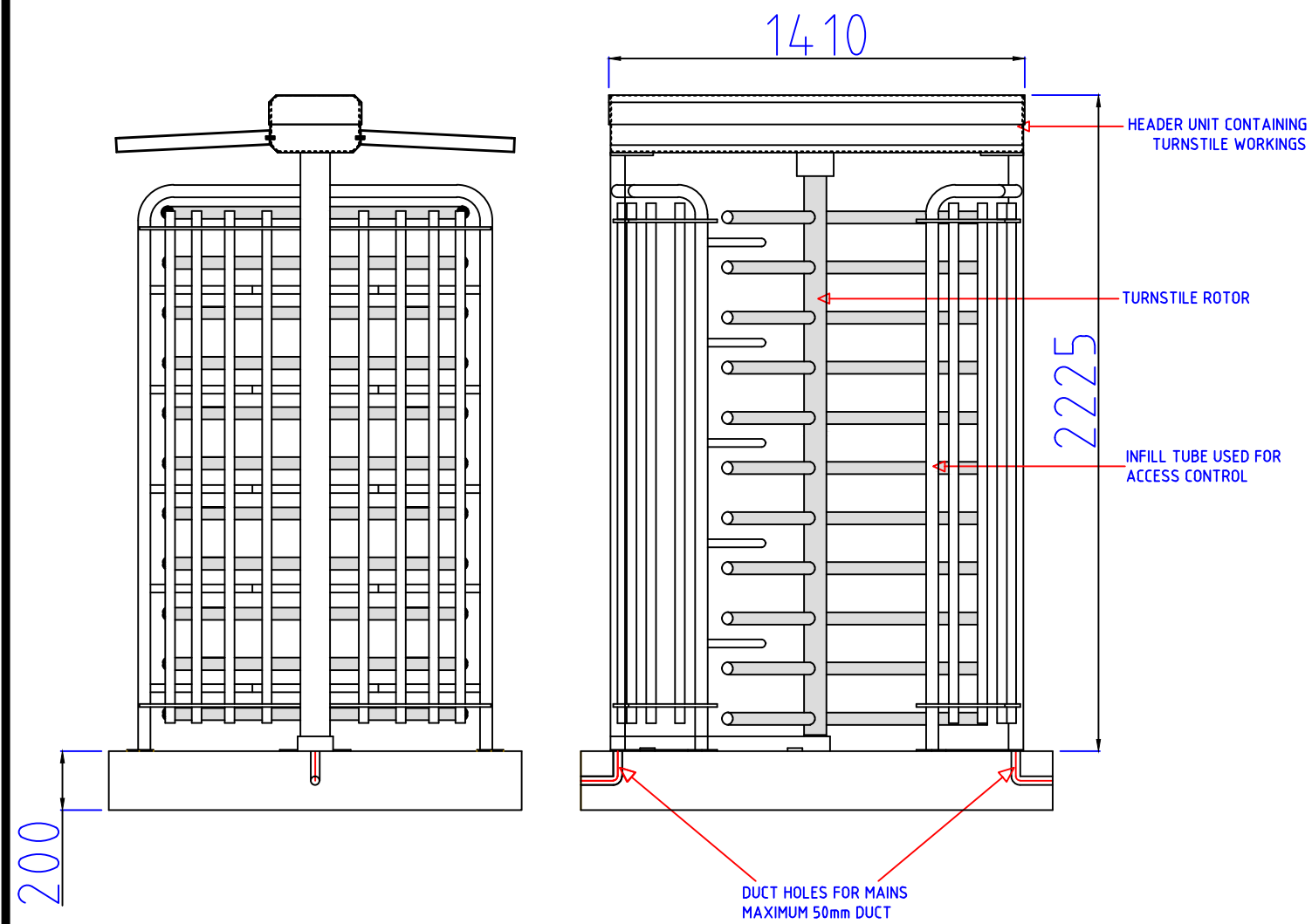


PF4000 SINGLE FULL HEIGHT TURNSTILE



General Notes

KEY POINTS:

1. FOUNDATIONS MUST BE LEVEL/INLINE.

FOUNDATIONS:

RECOMMENDED CONCRETE:
C40 MIX.

BASE

L = 1600mm.
H = 200mm.
W = 1600mm.

11.		
10.		
9.		
8.		
7.		
6.		
5.		
4.		
3.		
2.		
1.	Revision A	21/12/12
No.	Revision/Issue	Date

PARKING
Facilities Limited
Total Traffic Control Solutions
Unit 1, Kingsbury Link, Tisbury Road, Tomworth
Suffolkshire IP19 2EX
Telephone: 01827 870250 Fax: 01827 870251
www.parkingfacilities.co.uk Email:sales@parkingfacilities.co.uk

PRINT NAME:

SIGNATURE:

Dwg Number:

PF4000SNGFH

Date:

21/12/2012

Drawn By:

Graham Bowen

Sheet

1.